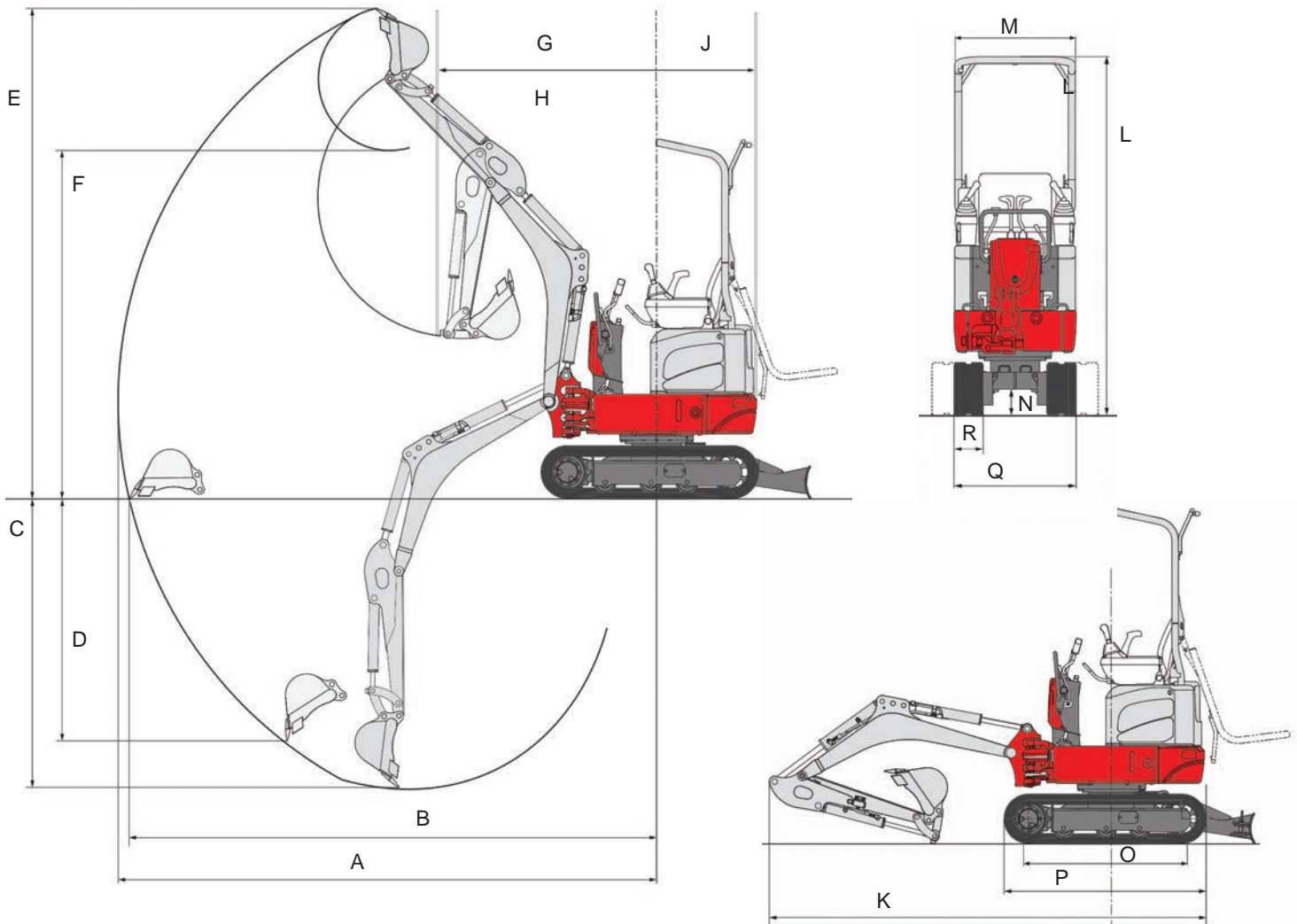


# TB210R Compact Excavator



## MACHINE DIMENSIONS

## 880 mm Arm

A	Maximum Reach	3,285 mm
B	Maximum Reach at Ground Level	3,220 mm
C	Maximum Digging Depth	1,755 mm
D	Maximum Vertical Digging Depth	1,475 mm
E	Maximum Height of Cutting Edge	2,985 mm
F	Maximum Dumping Height	2,120 mm
G	Front Swing Radius	1,320 mm
H	Front Swing Radius with Boom Offset	980 mm
J	Slew Radius	610 mm
K	Overall Length	2,955 mm
K'	Overall Length (canopy folded)	3,415 mm
L	Overall Height	2,190 mm
L'	Overall Height (canopy folded)	1,475 mm
M	Upper Structure Overall Width	750 mm
N	Ground Clearance	160 mm
O	Crawler Base	1,005 mm
P	Crawler Overall Length	1,325 mm
Q	Crawler Overall Width - Crawler Retracted	750 mm
Q'	Crawler Overall Width - Crawler Extended	1,020 mm
R	Crawler Shoe Width	180 mm